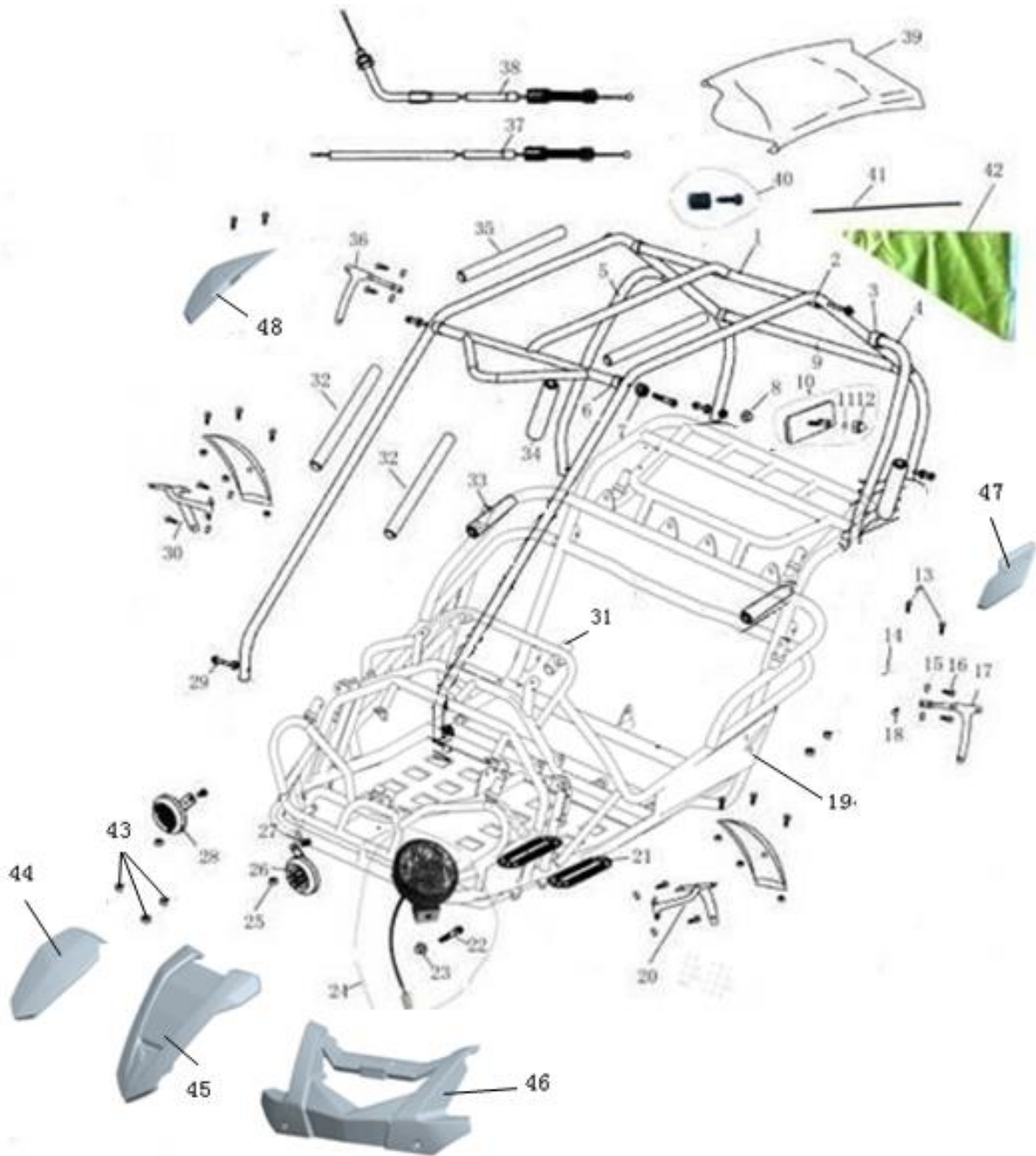




TRAILMASTER GO-KART BLAZER 200R PARTS MANUAL

(FRAME PARTS ONLY, ENGINE PARTS ARE SAME AS MID XRX ENGINE PARTS)

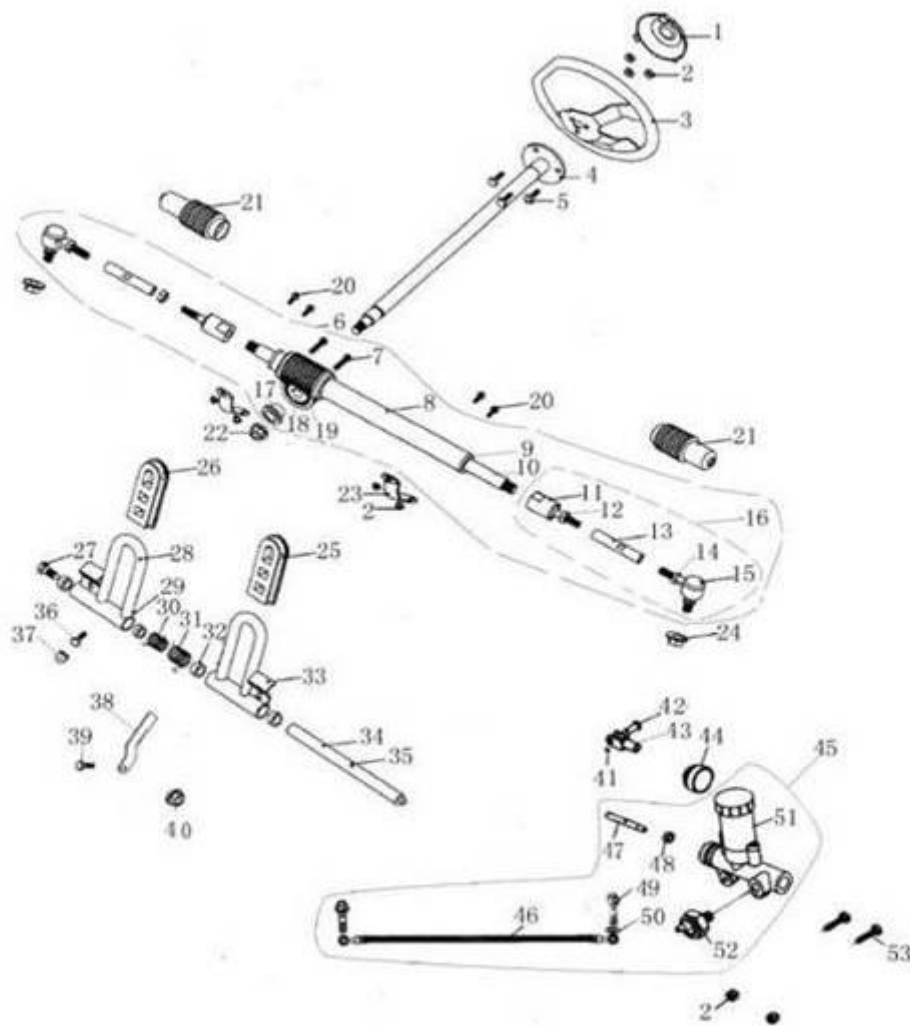
FIG 17 FRAME GROUP



NO.	PART #	DESCRIPTION	QTY.	
1	6060300080G000	C.B.C.CUSTOM CROSS BARTOP.FR (R.S.B)	1	
2	8070054080G000	C.B.C.BARCAGE.(R.S.B)	2	
3	7110018080G000	TUBE SEAT \varnothing 28	2	
4	8070055080G000	C.B.C.CUSTOM J-BAR.LSIDE(R.S.B)	1	
5	8070056080G000	C.B.C.CUSTOM J-BAR.RSIDE(R.S.B)	1	
6	7010017250G000	TUBE SEAT \varnothing 25	6	

7	8010047250G000	R- WASHER	20	
8	61870800012505	GB6187 NUT M8	6	
9	8080078080G000	C.B.C.CUSTOM CROSS BARTOP.RR (R.S.B)	1	
10	8006000300K000	REAR REFLECTOR	1	
11	97000500000005	GB97 WASHER φ5	1	
12	61700500010005	GB6170 NUT M5	1	
13	57890601610005	GB5789 BLOT M6X16	14	
14	6001074080G000	FENDER	2	
15	93000600000005	GB93 SPRING WASHER φ6	8	
16	57890601410005	GB5789 BOLT M6X14	8	
17	6132172080GH01	REAR FENDER BRACKET.L	1	
18	61870600010005	GB6187 NUT M6	10	
19	2000054080GH05	FRAME COMP.(R.S.B)	1	
20	6131172080GH00	FRONT FENDER BRACKET,L	1	
21	7020045080G000	RUBBER FOOLPLAIE	4	
22	81800604010005	GB818 BLOT M6X14	2	
23	61770600010005	GB6177 NUT M6	2	
24	8110000050GB01	HEADLAMP	2	
25	61700800012505	GB6170 NUT M8	2	
26	6000136250G000	HORN.L	1	
27	57890801612505	GB5789 BOLT M8X16	2	
28	6000135250G000	HORN.H	1	
29	57870805012505	GB5787 BOLT M8X50	14	
30	6130172080GH00	FRONT FENDER BRACKET,R	1	
31	7010006150G000	STEERINGSHAFT BUSH	1	
32	7020111080G000	FOAM PADDING-3	2	
33	6000189080G000	FOAM RADDING-1	2	
34	6100319080G000	FOAM RADDING-4	2	
35	6000319080G000	FOAM RADDING-2	2	
36	6133172080GH01	REAR FENDER BRACKET,R	1	
37	6000317080G000	THROTTLE CABLE COMP.	1	
38	6130134080G000	CHOKE CABLE COMP	1	
39	6000320080G006	BIKINI TOP	1	
40	0001000250G000	FLAGPOLE HOLDER	1	
41	0000100250G000	FLAGPOLE	1	
42	0000200250G000	FLAG	1	
43	94000000600005	NUT M6	3	
44	6502000080G000	PLASTIC BODY 1	1	
45	6501000080G000	PLASTIC BODY 2	1	
46	6503000080G000	PLASTIC BUMPER	1	
47	6504000080G000	LEFT REAR FENDER	1	
48	6505000080G000	RIGHT REAR FENDER	1	

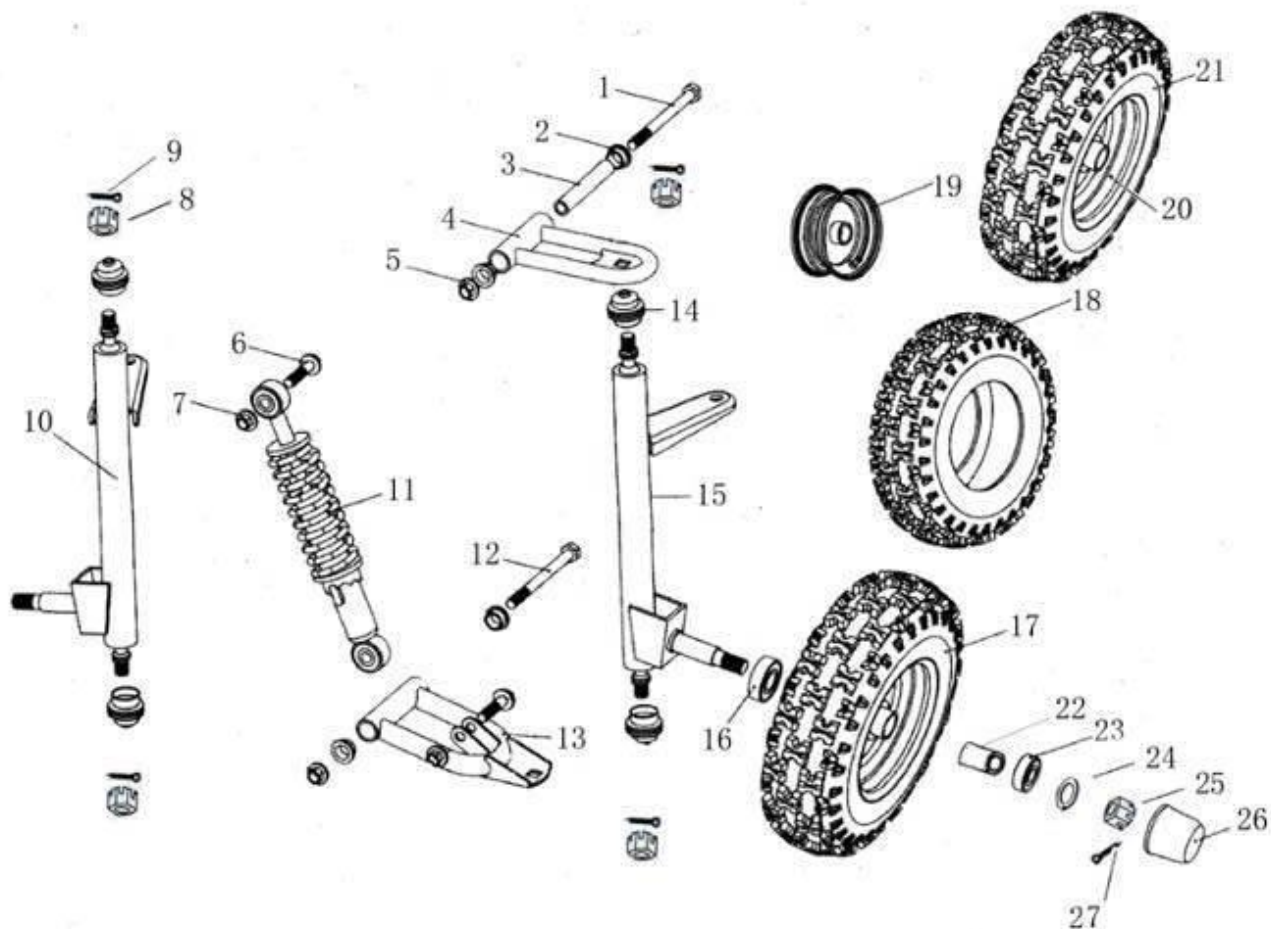
FIG 18: STEERING SHAFT ASSY



NO.	PART #	DESCRIPTION	QTY.
1	7010056080G000	STEERING BOLT COVER	1
2	61870600010006	LOCKING NUT M6	9
3	7020057080G000	STEERING WHEEL	1
4	2000056080G000	STEERING-SHAFT	1
5	57830601610005	GB5783 BOLT M6 X16	3
6	4020000080G000	STEERING ASSY.	1
7	81800501410001	GB818 BOLT M5 X12	2
8	8010079080G700	CONNECTING PIPE	1
9	7010007080G000	STEERING GEAR BUSH	2
10	8010075080G200	GEAR AXLE	1
11	6000180080G200	STEERING BALL JOINT	2
12	61710800012505	GB6170 NUT M8	2
13	8010135080G000	TIE ROD	2

14	61700800012505(L)	GB6170 NUT M8(L)	2	
15	6000181080G000	ROD END	2	
16	8000002080G000	TIE ROD ASSY	2	
18	8010131080G300	STEERING GEAR	1	
19	4010001080G000	CONNECTING DEVICE, COVER	1	
20	57870602010005	GB5787 BOLT M6 X20	4	
21	7020059080G000	STEERING BALL JOINT DUST COVER	2	
22	61871000012502	LOCKING NYLON NUT M10*1.25	1	
23	8020130080G000	STEERING GEAR BRACKET (R.S.B)	2	
24	61870800012505	NUT M8	2	
25	7020043080G000	BRAKE PEDAL PAD	1	
26	7020044080G000	THROTTLE PEDAL PAD	1	
27	70000801212505	GB70 BLOT M8X12	1	
28	9500218080G000	THROTTLE PEDAL COMP	1	
29	87910300160000	ROLL PIN ϕ 3 X 16	2	
30	8040010080G000	THROTTLE PEDAL RETURN SPRING,L	1	
31	8040011080G000	BRAKE PEDAL RETURN SPRING,R	1	
32	7010003250G000	PEDAL BUSH	4	
33	4000044080G000	BRALE PEDAL COMP.	1	
34	8010123080G000	PEDAL BOLT	1	
35	87910300200000	ROLL PIN ϕ 3 X 20	1	
36	57820806512505	BOLT M8X65	1	
37	7010022080G000	RUBBER FOOD PEDAL STOP	1	
38	8020209080G000	STOPPING PLATE	1	
39	110F7602010005	M6*20 BOLT	1	
40	61770600010005	GB6177 M6 NUT	1	
41	GB911503000002	COTTER PIN	1	
42	88200602800003	LOCKING ROLL PIN	1	
43	8020224080G000	CYIINDER ROD BRACKET	1	
44	7020076080G000	DUST COVER	1	
45	6000000080G000	HYDRAULIC BRAKE ASSEMBLY	1	
46	6000010080G000	BRAKE HOSE ASSY	1	
47	6000306080G000	CYIINDER ROD	1	
48	61700600010001	GB6170 NUT M6	1	
49	9700004080G000	BOLT M10X24	2	
50	9300010080G000	WASHER ϕ 10	4	
51	6000305080G000	MASTER CYLIND ER	1	
52	6000063250G000	BRAKE LIGHT SWITCH	1	
53	57890602510005	GB5789 BOLT M6X25	2	

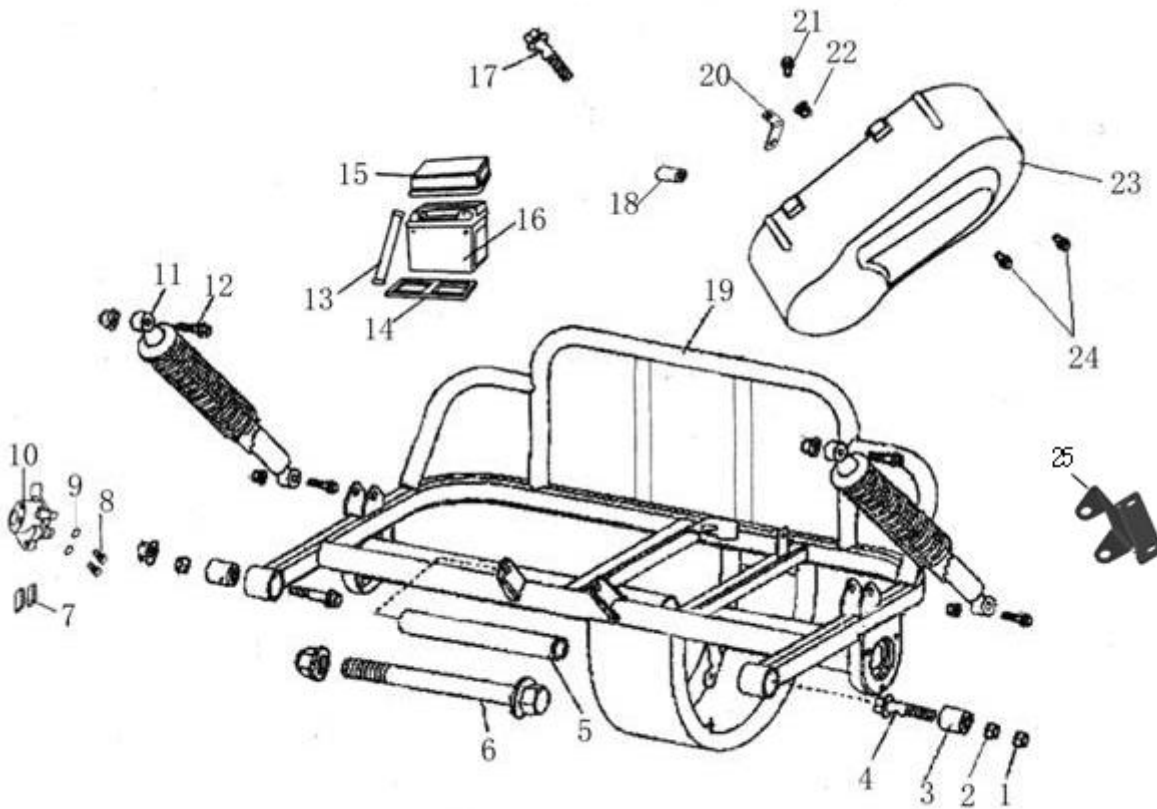
FIG 19: SUSPENSION ARM ASSY



NO.	PART #	DESCRIPTION	QTY.
1	57890810512505	GB5789 BOLT M8 X 105	2
2	7010003250G000	UPPER SUSPENSION ARM BUSH	8
3	8010015250G000	UPPER SUSPENSION ARM COLLAR	2
4	4000047080G000	UPPER SUSPENSION ARM	2
5	61870800012505	GB6187 LOCKING FLANGE NUT M8	4
6	57891004012505	GB5789 FLANGE BOLT M10 X 40X1.25	4
7	61871000012505	GB6187 LOCKING FLANGE M10X1.25	4
8	94571000012505	GB9457 NUT M10*1.25	4
9	GB912503000002	COTTER PIN ϕ 2.5X30	6

10	2000057080G000	SPINDLE AND STRUT SUPPORT,L	1	
11	6100325080G000	CUSHION ASS Y.FR	2	
12	9708149250G000	FLANGE BOLT M8X1.25X149	2	
13	4000041080G000	LOWER SUSPENSION ARM ASS Y	2	
14	7020061080G000	BALL HEAD DUST SEAL	4	
15	2000055080G000	SPINDLE AND STRUT SUPPORT,R	1	
16	62022RS0000000	BEARING 6202	2	
17	6000309080G000	FRONT WHEEL ASS Y.L.	1	
18	6100311080G000	TIRE,FR 16X6-8	2	
19	6100310080G000	RIM,FR	2	
20	7190018080G000	AIR VALVE	2	
21	6100321080G000	FRONT WHEEL ASSY.R.	1	
22	8010084080G300	COLLAR	2	
23	62012RS0000000	BEARING 6201	2	
24	97001200000005	GB97 Φ 12 WASHER	2	
25	94571200012505	NUT M12	2	
26	7020039250G000	HUB COVER FR	2	
27	GB912503000002	COTTER PIN Φ 2.5X30	2	

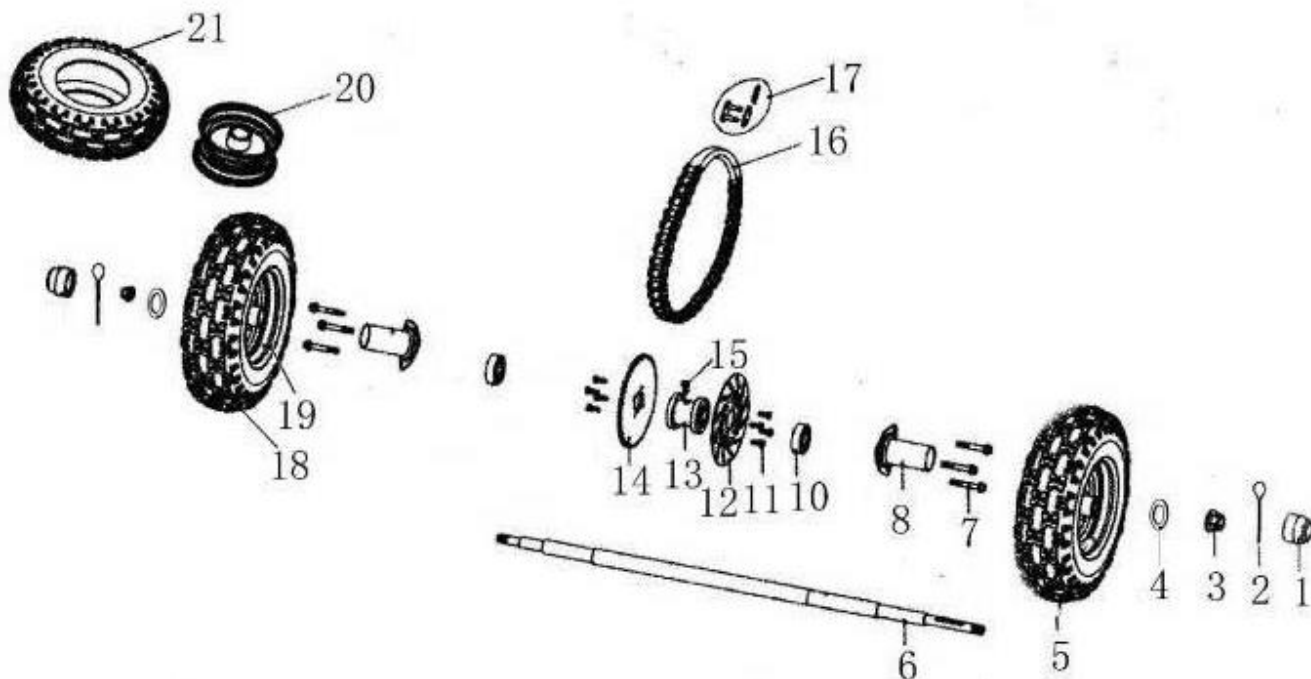
FIG 20: REAR SWING ARM



NO.	PART #	DESCRIPTION	QTY
1	61871000012505	LOCKING NUT M10X1.25	7
2	61701000012505	NUT M10X1.25	2
3	7020077080G000	BUSHING, SWING ARM ISOLATOR	2
4	57891006812505	FLANGE LOCKING M10X1.25X68	2
5	8146066080G000	SPANNER	1
6	57871018012505	BOLT M10X1.25X180	1
7	7020016250G000	RR. BRAKE PAD SET	1
8	57870801612505	BOLT M8X14	2
9	93000800000005	SPRING WASHER φ8	2
10	6000028250G000	RR. CALIPER ASSY.	1
11	6000322080G000	CUSHION ASSY. RR.	2
12	57891004012505	FLANGE LOCKING BOLT M10X1.25X40	4
13	7020023250G000	BATTERY STRAP	1
14	702002050G000	LOWER BATTERY CUSHION	1
15	7010028250G000	BATTERY COVER	1
16	6000085080G000	BATTERY 12V 6.5AH	1
17	57870805512505	FLANGE LOCKING M8X55	1

18	100010080G000	DRIVE COVER PLASTIC COLLAR	1	
19	4000045080G001	REAR SWING ARM MID XRX/R	1	
20	1020100080G000	DRIVE COVER PLASTIC BRAK CET	1	
21	57890602010005	BOLT M6X20	1	
22	61870600010005	NUT M6	1	
23	8110021080G001	DRIVE COVER PLASTIC	1	
24	57890601210005	FLANGE LOCKING NUT M6X12	2	
25	8000001080G003	REVERSE MOUNTING BRACKET 1	1	

FIG 21: REAR HOUSING



NO.	PART #	DESCRIPTION	QTY.
1	7020039250G000	HUB COVER,RR	2
2	GB913003000002	COTTER PIN 3X40	2
3	94571600015005	CASTLE NUT M16	2
4	96001600000005	GB96 WASHER Φ16	2
5	6000315080G000	REAR WHEEL ASSY R.	1
6	8010199080G000	REAR AXLE	1
7	57890801612505	FLANGE BOLT M8 X1.25X16	6
8	6000196080G000	AXLE COVER	2
10	60052RS0000000	BEARING,6005	2
11	70000802012505	FLANGE BOLT M8X20	8
12	8010201080G000	DISC BRAKE,RR	1
13	8010202080G000	REAR AXLE HUB	1
14	5400600080G101	REAR SPROCKET	1
15	9110025080G000	BOLT M10X1.25X25	1
16	4200542080G000	DRIVE CHAIN	1
17	6000324080G000	MASTER LINK	1
18	6000316080G000	REAR WHEEL ASS Y.L	1
19	7190018080G000	AIR VALVE	2
20	6100333080G000	RIM,RR	2
21	7020078080G000	REAR TIRE 16X7-8	2

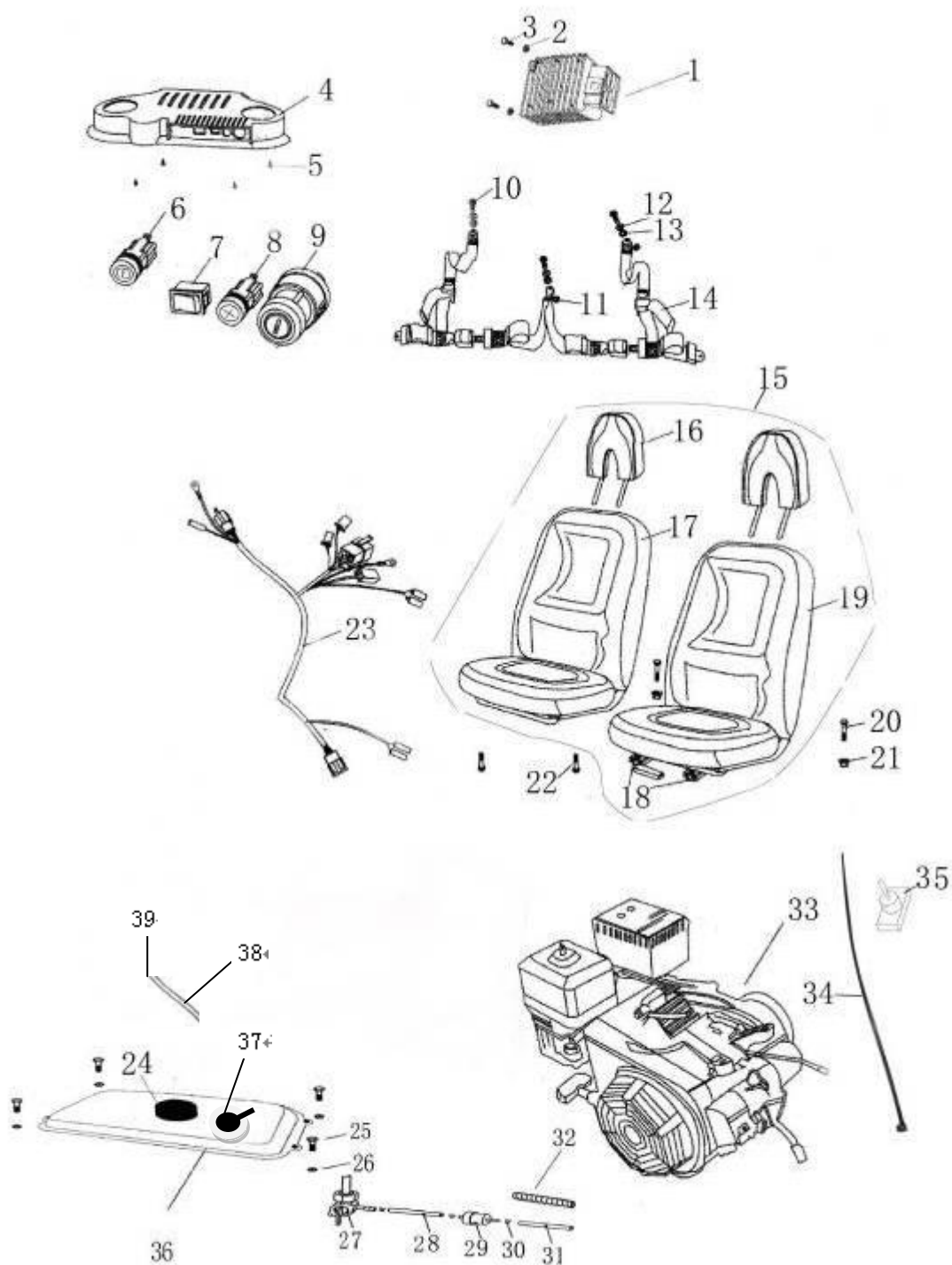
FIG 22: CLUTCH ASSY



NO.	PART #	DESCRIPTION	QTY
1	9100018080G0C0	BELT	1
2	8010027080G000	KEY 5X5X85	1
3	8020235080G000	DRIVEN PULLEY WASHER	1
4	9500010080G000	DRIVEN PULLEY	1
5	61871600015005	LOCKING NUT M16X1.5	1
6	57890809012505	BOLT M8X90	3
7	57890806512505	BOLT M8X65	2
8	61870800012505	FLANGE LOCKING NUT M8	7
9	57890805512505	BOLT M8X55	2
10	7020077080G000	BUSHING	2
11	8.000.001-R	ENGINE MOUNTING PLATE - METALLIC	1
12	8147002080G000	DRUM	1
13	8147001080G000	HUB	1
14	8147000080G000	SHEAVE, MOVEABLE	1
15	8146099080G000	BUSHING	1

16	8146098080G000	SHEAVE, STATIONARY	1	
17	9300008080G000	BUSHING BOLCK	1	
18	97000800000005	WASHER $\varphi 8$	5	
19	93000800000005	SPRING WASHER $\varphi 8$	5	
20	57870804012505	BOLT, M8X40	1	
21	61701200012505	NUT M12X1.25	1	
22	8010042250G000	WASHER-CHAIN ADJUSTER($\varphi 12 \times \varphi 35 \times 6$)	3	
23	8020045080G000	BOTTOM CAP WASHER-CHAIN ADJUSTER	1	
24	7020001080G000	CAP WASHER-CHAIN ADJUSTER	1	
25	8010041080G000	BUSHING-CHAIN ADJUSTER	1	
26	61871200012505	NUT M12X1.25	1	
27	8147008080G000	CHAIN ADJUSTER	1	
28	9500001080G000	FRONT CLUTCH 80T	1	

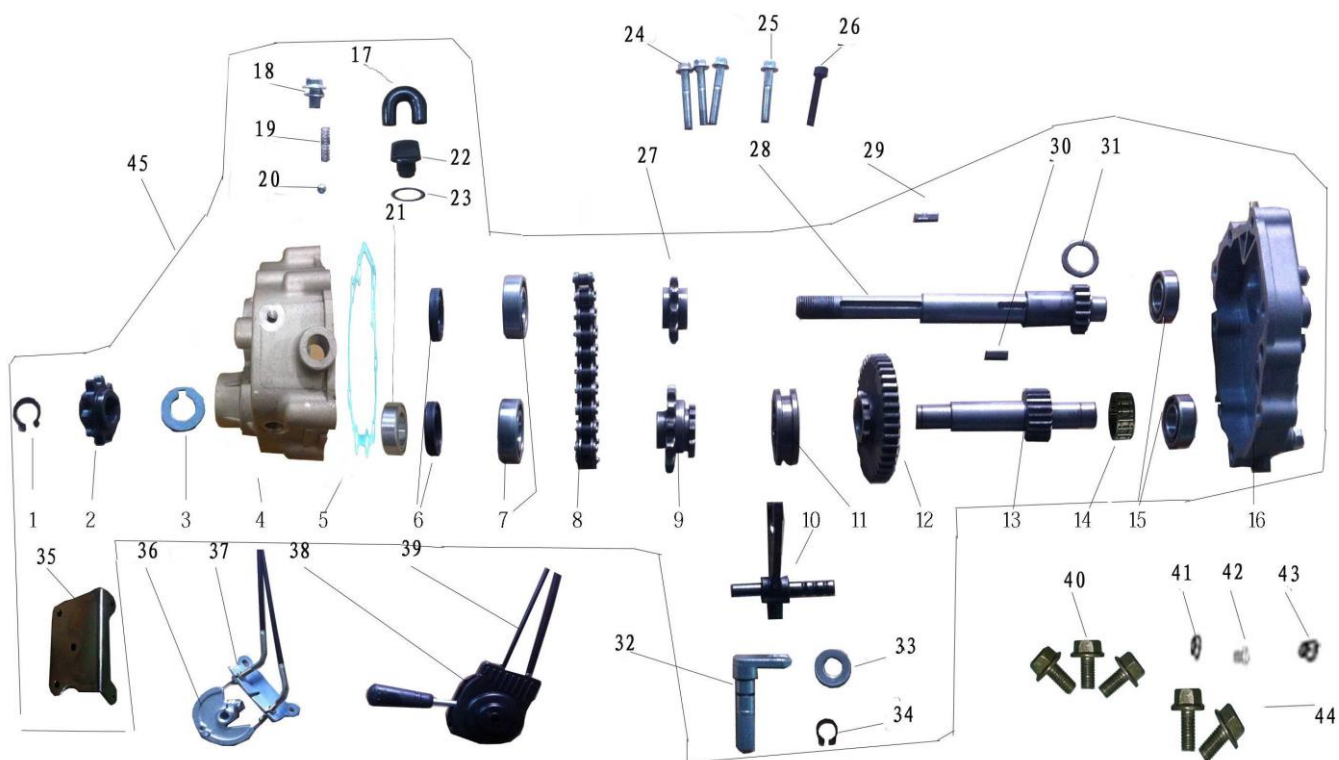
FIG 23: WIRE HARNESS/ELECTRICAL/SEAT/ENGINE



NO.	PART #	DESCRIPTION	QTY.
1	6100167080G000	RECTIFIER COMP.REGULATE	1
2	61770600010005	NUT M6	1
3	57890601610005	BOLT M6X16	2
4	7010076080G002	SWITCH PANEL COVER	1
5	28234201300005	BOLT ST4.2X13	4
7	6000133080G000	HORN BUTTON	1
8	6000159250G000	ENGINE STOP BUTTON	1

9	6000165080G001	POWER ON SWITCH	1	
10	9700001250G000	SPECIAL BOLT M7/16 X28	3	
11	9700003250G000	BELT NUT M7/16	3	
12	93001200000001	LOCKING WASHER	3	
13	9700002250G000	BELT WASHER 12	3	
14	6000328080G000	SAFETY BELT	1	
17	6000330080G001	SEAT COMP.R	1	
18	6000057080G000	SEAT RALL SET	1	
19	6000331080G001	SEAT COMP.L	1	
20	37000804512503	BOLT STRAP M8X1.25X45	2	
21	61770800012505	FLANGE NUT M8	2	
22	57870804012505	BOLT STRAP M8X1.25X40	2	
23	6000188080G0A1	WIRE HARNESS	1	
24	6000145080G0A0	FUEL FILLER CAP COMP	1	
25	57890603210005	FLANGE BOLT, M6x32	4	
26	61870600012505	NYLON NUT M6	4	
27	6000046250G000	FUEL COCK ASS'Y	1	
28	7020029050G000	FUEL TUBE, #2	1	
29	6000056250G000	FILTER	1	
30	621A0800000000	FUEL TUBE CLIP	4	
31	7020030050G000	FUEL TUBE, #1	1	
32	5002100050G000	TUBING SPRING	1	
33	JF168FLH-8CC	ENGINE COMP.	1	
34	12111208034	RIBBIN 200MM	15	
35	8120000080GA00	SWITCH OF HEADLIGHT	1	
36	4000019080GH01	FUEL TANK COMP	1	
37	27280121001000	OVERFLOW VALVE	1	
38	7020031050G000	FUEL PIPE	0.9M	
39	621A0900000000	FUEL TUBE CLIP	2	

FIG 24: REVERSE GEAR



NO.	PART #	DESCRIPTION	QTY.
1	8941160000003	SNAP RING $\varnothing 16$	1
2	5400600080L00	10T DRIVEN SPROCKET	1
3	8020235080G00	REAR CLUTCH WASHER	1
4	1000001280G00	REVERSE GEAR BOX LEFT	1
5	1000001180G00	LEFT GASKET	1
6	YF02503507500	OIL SEAL 20X35X7.5	2
7	6004Z00000000	BEARING 6004Z	2
8	420010Z080G00	DRIVE CHAIN,10T,420	1
9	1000001480G00	DRIVE SPROCKET,13T	1
10	1000001680G00	SHIFT FORK	1
11	1000001780G00	SLIDE BUSHING	1
12	1000001980G00	DRIVEN SHAFT	1
13	1000001880G00	DRIVEN GEAR	1
14	K1822160000000	NEEDLE BEARING 18*22*16	1
15	6003000000000	BEARING 6003	2
16	1000001380G00	REVERSE GEAR BOX RIGHT	1
17	1000002880G00	VENT CAP	1
18	57870801212502	BOLT M8*12 W/ WASHER	2
19	1000002080G00	FORK SPRING	1

20	1000002180G000	STEEL BALL ø6	1
21	61804000000000	BEARING 61804	1
22	1000002980G000	SEAL CAP	1
23	1000003080G000	SEAL RING	1
24	57870604012502	BOLT M6*40	3
25	57870603512502	BOLT M6*35	1
26	GB700603512503	SCREW M6*35	1
27	1000001580G000	DRIVE SPROCKET,10T	1
28	1000002280G000	DRIVING SHAFT	1
29	1000002380G000	KEY 5X5X16	1
30	1000002480G000	KEY 5X5X14	1
31	1000002580G000	SPACER ø18* ø25*2	1
32	1000002680G000	GEAR SHAFT	1
33	97000800000002	WASHER ø 12	1
34	89411200000003	SNAP RING ø12	1
35	1000002780G000	BRACKET	1
36	4000200300G200	TURNING WHEEL	1
37	4000100300G200	TURNING WHEEL BRACKET	1
38	4070000300G000	REVERSE GEAR SHIFTER ASSY.	1
39	6013000080G000	REVERSE GEAR WIRE	2
40	57890601210005	BOLT M6*12	3
41	61770600010005	GB6177 NUT M6	2
42	57870802012505	HEXAGON FLANGE BOLTS M8*20	1
43	61870800012505	SELF-LOCKING NUT M8	1
44	57890601610005	BOLT M6*16	2
45	1000001080G000 (MID Reverse Box)	REVERSE GEARBOX ASSY. (W/ BRACKET & SPROCKET)	1

FIG 25 WARNING STICKERS SET





17

18

19

20

NO.	PART #	DESCRIPTION	QTY.	
1	9072100080G000	WARNING LABEL 1	1	
2	9072100050G000	WARNING LABEL 1	1	
3	9072200050G000	WARNING LABEL 1	1	
4	9072300050G000	WARNING LABEL 1	1	
5	9072400050G000	WARNING LABEL 1	1	
6	9072500050G000	WARNING LABEL 1	1	
7	9072700050G000	WARNING LABEL 1	1	
8	9072900050G000	WARNING LABEL 1	1	
9	9073000050G000	WARNING LABEL 1	1	
10	9073100050G000	WARNING LABEL 1	1	
11	9070100050G0B0	TRAILMASTER LOGO	1	
12	9072600150G0000	PARKING BRAKE	1	
13	9072005080G000	LEFT STICKER	1	
14	9072006080G000	RIGHT STICKER	1	
15	9072007080G001	FENDER STICKER LEFT	1	
16	9072008080G001	FENDER STICKER RIGHT	1	
17	9072009080G000	MODEL LEFT	1	
18	9072010080G000	MODEL RIGHT	1	
19	9072011080G001	SIDE STICKER LEFT	1	
20	9072012080G001	SIDE STICKER RIGHT	1	
21	9077100080G0A0	MANUAL	1	

Note: part # in red means new parts for BLAZER 200R or/and MID XRX/R.